



UV80-3

FUEL ANTI-SIPHON

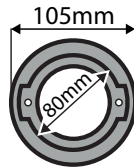
ULTRA Value

Technical specifications

Product details	
Filler neck type	80mm double bayonet
Device Type	Internal
Locking method	Snap-off screws
Device material	Nickel-plated steel
Weight	0.24 kg
Flow speed	120 L/min



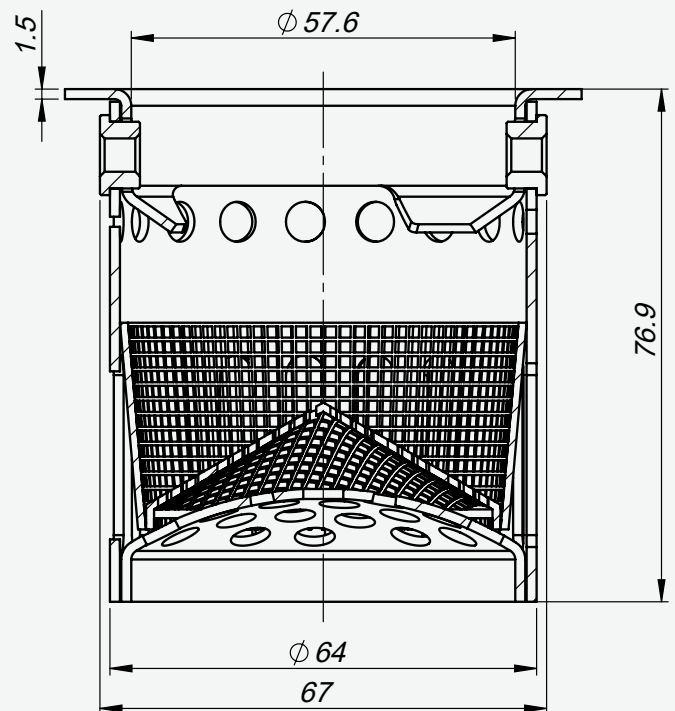
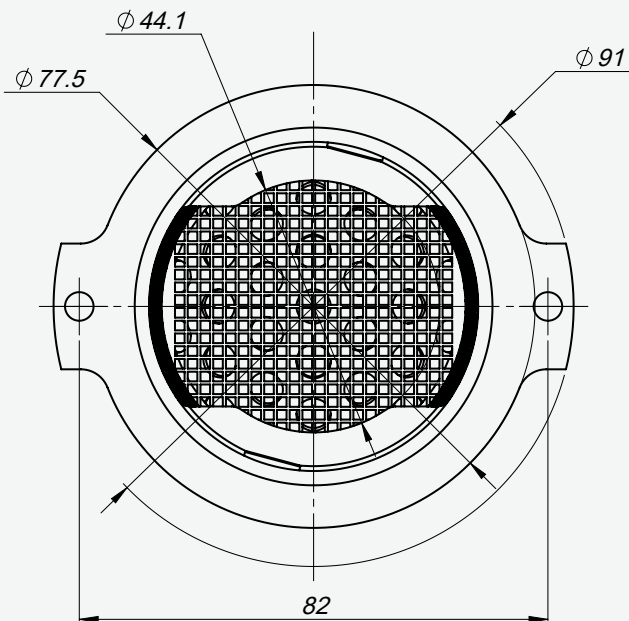
Internal device



Double bayonet with flange


Product dimensions (mm)

Use these dimensions to confirm the product will fit your vehicle




UV80-3 Vehicle Application List

Truck vehicles fitted

	**Compatible with models that have tank necks with internal flange only	
	Manufacturer	Models
	**DAF	<i>CF75, CF85, XF Range</i>
	**IVECO	<i>Stralis, EuroCargo (Metal tank)</i>
	MAN	<i>All models</i>
	Mercedes-Benz	<i>All models</i>
	Mitsubishi	<i>Canter Fuso some models</i>
	**Renault	<i>Most models</i>
	Terberg	<i>All models</i>
	**Volvo	<i>Most models</i>

Other vehicles & machinery

	Manufacturer	Models
	Other	<i>There are more vehicles with the same filler neck, please contact us for more details.</i>