



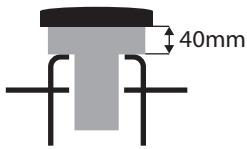
NI600021

FUEL ANTI-SIPHON

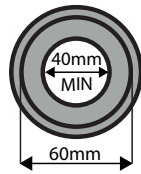
NECKIT

Technical specifications

Product details	
Filler neck type	60mm internal thread
Device Type	External
Locking method	Grub screws and security collar
Device material	Aluminium alloy
Weight	0.57 kg
Flow speed	100 L/min



External device

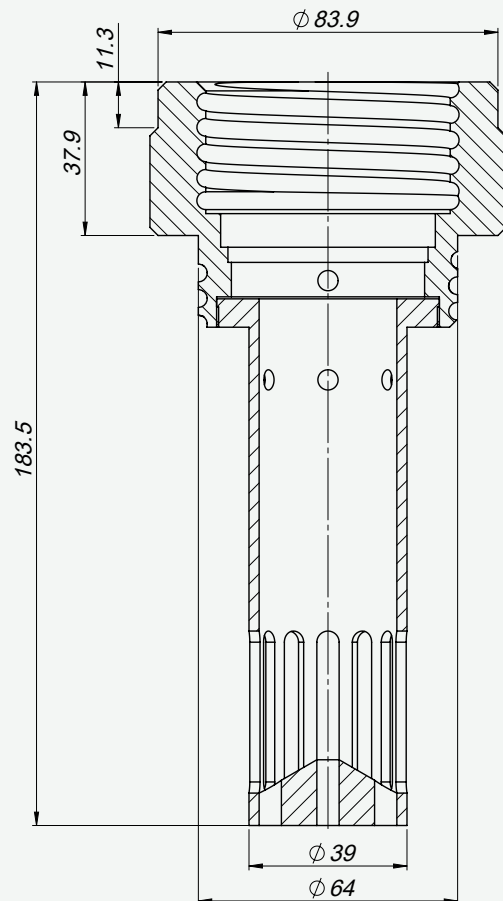
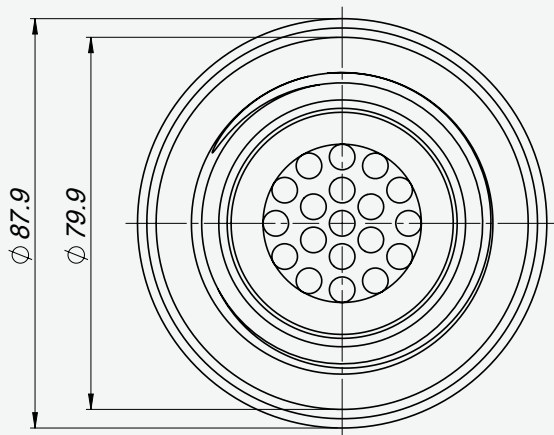


Internal thread with Internal flange




Product dimensions (mm)

Use these dimensions to confirm the product will fit your vehicle




NI600021 Vehicle Application List

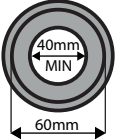
Truck vehicles fitted

	Manufacturer	Models
	Montracon	Refrigerated trailers
	Schmitz Cargobull	Refrigerated trailers

Construction vehicles fitted

	Manufacturer	Models
	Bomag	some models
	Case New Holland	most models
	Deutz Fahr	most models
	JCB	most models
	John Deer	most models
	Manitou	MLT loaders
	McCormick	most models
	New Holland	most models
	SAME	most models
	Volvo CE	BL71B

Other vehicles & machinery

	Manufacturer	Models
	Other	There are more vehicles with the same filler neck, please contact us for more details.