

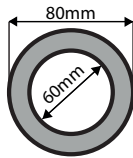


Technical specifications

Product details	
Filler neck type	60mm thread
Device Type	Internal
Locking method	Snap-off screws
Device material	Nickel-plated steel
Weight	0.23 kg
Flow speed	120 L/min



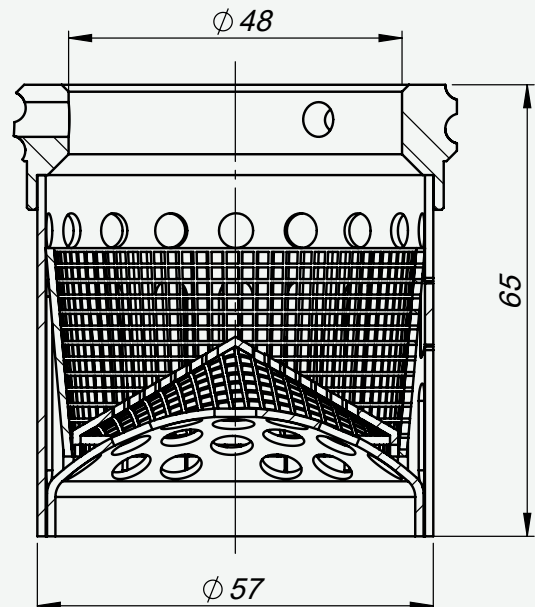
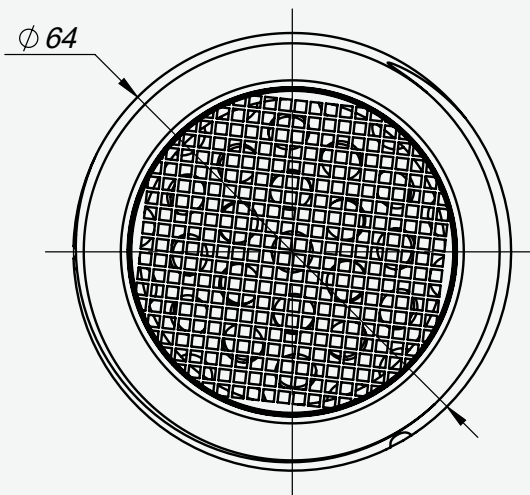
Internal device



Internal Thread

Product dimensions (mm)

Use these dimensions to confirm the product will fit your vehicle



Truck vehicles fitted

	Manufacturer	Models
	Scania	All models