



UP64-3

FUEL ANTI-SIPHON

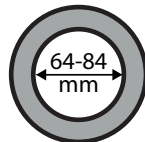
ULTRAPlus

Technical specifications

| Product details | |
|------------------|---------------------------------|
| Filler neck type | 64-84mm various |
| Device Type | Internal |
| Locking method | Grub screws and Security collar |
| Device material | Aluminium alloy |
| Weight | 0.45 kg |
| Flow speed | 120 L/min |



Internal device

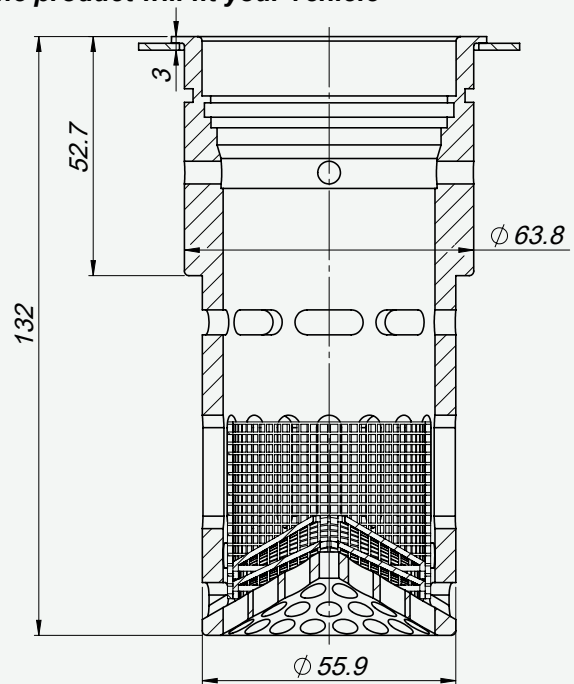
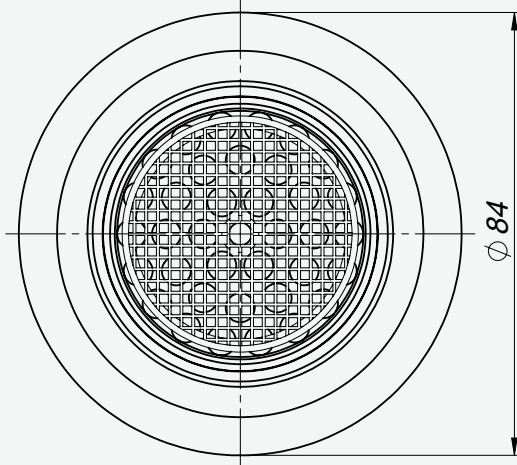


Various neck types



Product dimensions (mm)

Use these dimensions to confirm the product will fit your vehicle



Optional Accessories



Anti-spill valve - ASV0002
Prevents fuel spillage




Drift tool - ACC0025
Facilitates security collar installation




Refitting Kit
Allows reinstallation
not actual kit

UP64-3 Vehicle Application List

Construction vehicles fitted

|  | Manufacturer | Models |
|---|--------------|-----------------------|
| | Doosan | <i>DL160 to DL500</i> |
| | Volvo CE | <i>A25D</i> |
| | Yanmar | <i>some models</i> |

Other vehicles & machinery

|  | Manufacturer | Models |
|---|--------------|---|
| | Other | <i>There are more vehicles with the same filler neck, please contact us for more details.</i> |