



UP60-14

FUEL ANTI-SIPHON

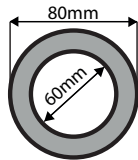
ULTRA Plus

Technical specifications

Product details	
Filler neck type	60mm Internal thread
Device Type	Internal
Locking method	Grub screws and Security collar
Device material	Aluminium alloy
Weight	0.28 kg
Flow speed	120 L/min



Internal device

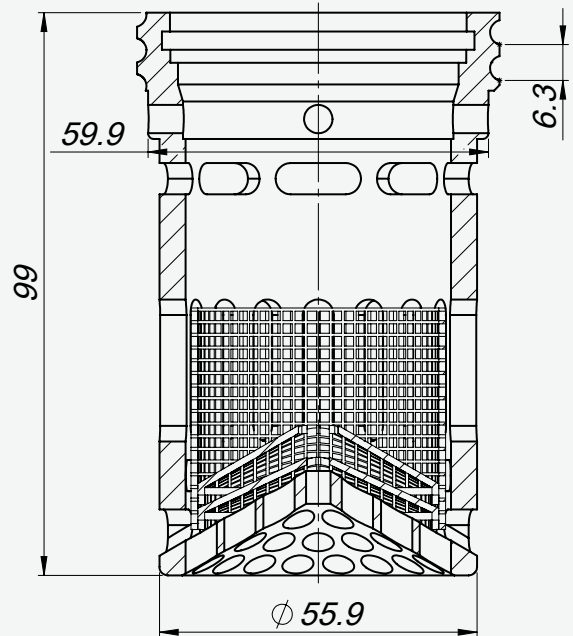
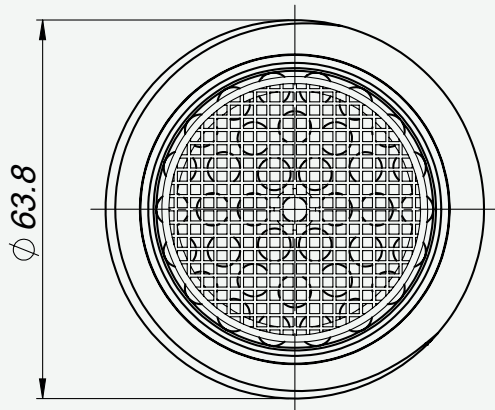


Internal thread



Product dimensions (mm)

Use these dimensions to confirm the product will fit your vehicle



Optional Accessories



Anti-spill valve - ASV0002
Prevents fuel spillage



Drift tool - ACC0025
Facilitates security collar installation



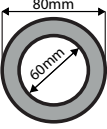
Refitting Kit
Allows reinstallation
not actual kit

UP60-14 Vehicle Application List

Truck vehicles fitted

	Manufacturer	Models
	Scania	<i>All models</i>

Other vehicles & machinery

	Manufacturer	Models
	Other	<i>There are more vehicles with the same filler neck, please contact us for more details.</i>